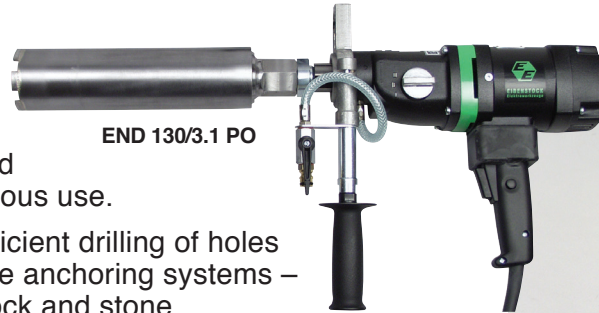


Model END 130/3.1 PO Portable Diamond Core Drill

3-speed, wet, hand-held or rig-mounted drill for holes up to 6" diameter.



The END 130/3.1 PO wet diamond core drill combines a robust all-aluminum housing with a compact size and powerful 15 AMP motor. The heavy-duty design and power reserve make it suitable for continuous use.



END 130/3.1 PO

This concrete core drill is ideal for fast, efficient drilling of holes in floors, walls, ceilings and for all concrete anchoring systems – in reinforced concrete, concrete, brick, block and stone.

The END 130/3.1 PO is a fast, efficient core drilling system. Use hand-held for up to 3" diameter or rig-mounted for up to 6" diameter in concrete.

The mechanical 3-speed gearbox allows the operator to select the best speed for the core bit diameter. The result is optimum drilling and longer tool life.

All models include a built-in leveling bubble, safety slip clutch, water swivel, overload signal and GFCI to prevent electric shock for operator safety. Connecting threads of 5/8" x 11 UNC, 1-1/4" x 7 UNC and G1/2" fit all standard core bits.



END 130/3.1 POSV

END 130/3.1 PO Diamond Core Drills

Model	List Price	Drilling Dia.	Weight (Lbs.)	Power Input	Rated Voltage	Load Speed (RPM)	Spindle Connection
Model END 130/3.1 PO 3-Speed Hand-Held Core Drill	\$1,266.00	3"	16	15 AMP	110 V	600 / 1300 / 2800	1-1/4" x 7 UNC & 5/8" x 11 UNC
Model END 130/3.1 POSA Drill with Anchor Stand (Model BST 104/60 V)	\$1,864.00	6"	37				
Model END 130/3.1 POSV Drill with Anchor Stand (Model BST 104/60 V) & Vacuum Pump (P/N 253 511)	\$2,240.00	6"	45				

Note: Specifications subject to change. Refer to Owner's Manual for operating instructions.

Wet Diamond Core Bits are available for concrete, stone, asphalt and more. Contact us for details.

Wet drilling in reinforced concrete, natural stone and asphalt – especially for narrow, difficult to access spaces.



Distributed by:

Builder's Depot®

P.O. Box 2008, Long Island City, NY 11102 • Ph: 718-204-9088 • Fax: 718-777-5210 • Email: info@buildersdepot.com

Toll-free: 800-777-0969 • www.buildersdepot.com